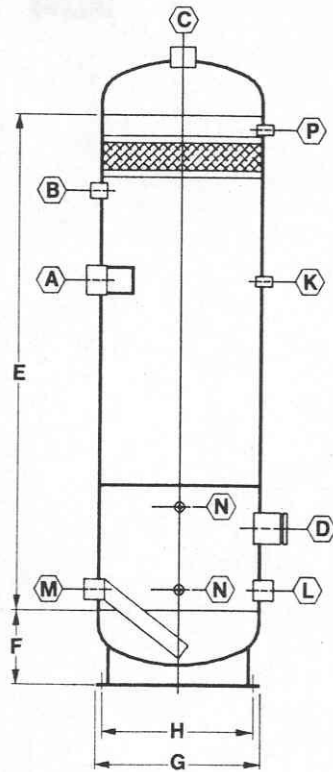


**Typical
Vertical Two Phase separator
ASME Code Construction
Wire Mist Eliminator**



LEGEND

- (A)** Inlet
- (B)** Relief
- (C)** Gas Outlet
- (D)** Level Control
- (K)** 1/2" Pressure Gauge
- (L)** 2" Liquid Outlet
- (M)** 2" Drain
- (N)** Gauge Glass Connections
- (P)** 1/2" Supply Gas

Size	Design Press	A	B	C	D	E	F	G	H	N
24" x 7'	125	3"	2"	3"	4"	7'-0"	1'-6"	1'-10½"	1'-3¾"	½"
30" x 10'	125	3"	2"	3"	4"	10'-0"	1'-7"	2'-6"	2'-3"	½"
36" x 10'	125	4"	2"	4"	4"	10'-0"	1'-8"	3'-0"	2'-3"	½"
16" x 5'	500	2"	1"	2"	4"	5'-0"	1'-3½"	1'-5"	1"-3-1/8"	¾"
20" x 7'	500	3"	1"	3"	4"	7'-0"	1'-4¾"	1'-10½"	1'-8¼"	¾"
24" x 7'	500	3"	1"	3"	4"	7'-0"	1'-6"	1'-10½"	1'-8¼"	¾"
24" x 10'	500	3"	1"	3"	4"	10'-0"	1'-6"	1'-10½"	1'-8¼"	¾"
12¾" x 5"	1440	2"	1"	2"	4"	5'-0"	1'- 1¾"	1'-5"	1"-3-1/8"	¾"
16" x 5'	1440	2"	1"	2"	4"	5'-0"	1"-3-1/8"	1'-5"	1"-3-1/8"	¾"
20" x 7'	1440	3" Flg	1"	3" Flg	4"	7'-0"	1"-4¾"	1'-10½"	1'-8¼"	¾"
24" x 7'	1440	3" Flg	1"	3" Flg	4"	7'-0"	1'-6"	1'-10½"	1'-8¼"	¾"
24" x 10'	1440	3" Flg	1"	3" Flg	4"	10'-0"	1'-6"	1'-10½"	1'-8¼"	¾"
30" x 10'	1440	4" Flg	1"	4" Flg	4"	10'-0"	1'-7"	2'-6"	2'-3"	¾"
36" x 10'	1440	6" Flg	1"	6" Flg	4"	10'-0"	1'-8"	3'-0"	2'-3"	¾"